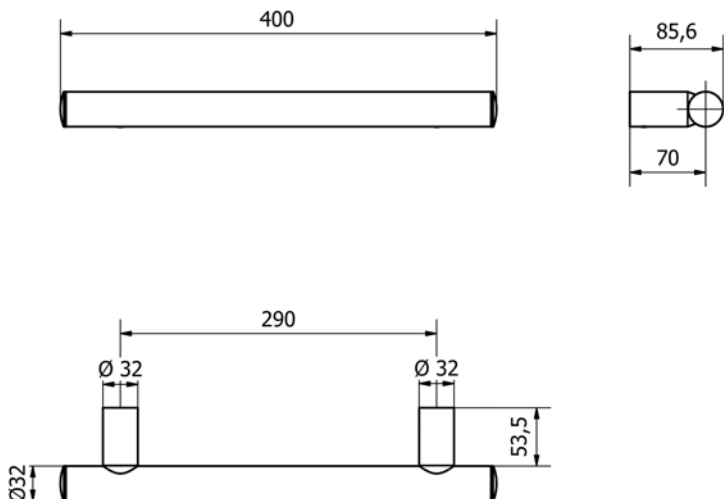


PRODUCT TECHNICAL SHEET

TECHNICAL DRAWING



PHOTO



PRODUCT FAMILY: GRAB BARS AND HAND RAILS - ELEGANCE SERIES

CODE: ELMA40NR

DESCRIPTION: Linear grab bar, lenght 40 cm. Mat white.

MECHANICAL PERFORMANCES: Load capacity 150 kg.

APPROVALS/CERTIFICATIONS:

TUV system certification UNI EN ISO 9001

Declaration of conformity CE to European Medical device directive 07/47.

Reference regulations: UNI EN 12182; UNI CEI EN ISO 14971; UNI EN 1041, UNI CEI EN ISO 15225

PRODUCT FEATURES:

Grab bars made of galvanized steel with crossbars and bushing in turned aluminium. Powder coated, mat white. ABS plugs chrome - plated satin.

Diameter of the tubes 32x1,5 mm. Distance between wall and center of the tube 69.5 cm. Lenght 40 cm between the ends.

FIXING/INSTALLATION:

Wall mounted fixed with n° 2 plugs

Plugs not included in the package

Choose the correct type of plug according to the type of wall.

Hole for screw Ø max 10,5

MAINTENANCE:

Check the correct fastening periodically.

Make a proper cleaning by water and soap, do not use abrasive or corrosive agents.

PRODUCT COMPOSITION:

N° 1 Tube Ø32 x 15/10 Fe Po4 galvanized and painted RAL9016

N°2 Crossbars made of aluminium painted RAL9016

N° 2 Bushings for fixation

N° 2 Plugs in ABS chrome-plated satin.

MATERIALS:

TREATEMENTS:

TOLERANCES:

0÷300 ±3 301÷600 ±4 601÷2000 ±5

PACKAGING OF THE PRODUCT:

Single package with pluriball and carton box 110 x 40 x 340 mm.

Weight: 0,72 kg

ST_PRODOTTO: ELMA40NR	- 1	APPROVATO
REV.00 DEL 18/09/19		R.T.

THERMOMAT SANILINE SRL

Via M. Curie, 7 - 46034 Borgo Virgilio (Mantova) ITALY

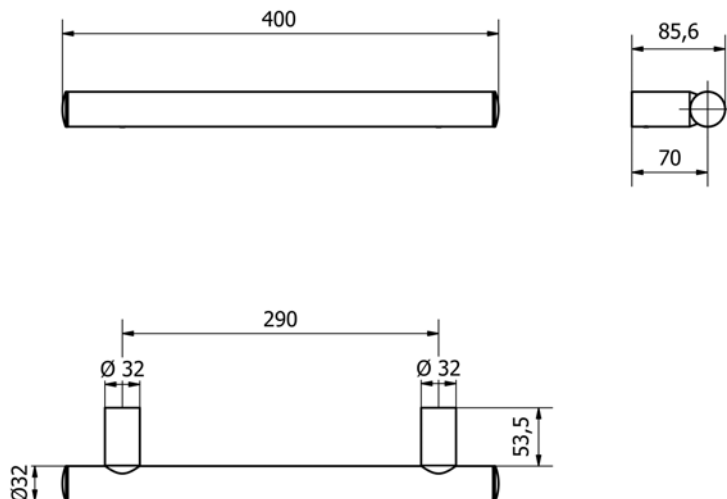
Tel. + 39 0376 4473

www.thermomat.com - e-mail: info@thermomat.com

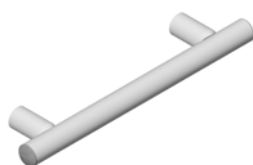


SCHEDA TECNICA PRODOTTO

DISEGNO TECNICO



FOTO



FAMIGLIA PRODOTTO: MANIGLIONI E CORRIMANO – SERIE ELEGANCE

CODICE: ELMA40BC

DESCRIZIONE: Maniglione diritto, lunghezza 40 cm. Colore bianco opaco.

PRESTAZIONI MECCANICHE:

Capacità di tenuta 150 kg.

CERTIFICAZIONI:

Certificazione TUV di sistema UNI EN ISO 9001

Dichiarazione di conformità CE alla Direttiva Europea per i Dispositivi medici 07/47.

Norme di riferimento: UNI EN 12182; UNI CEI EN ISO 14971; UNI EN 1041, UNI CEI EN ISO 15225.

CARATTERISTICHE PRODOTTO:

Maniglioni realizzati in acciaio zincato con traversini e boccola in alluminio tornito. Verniciato a polvere, bianco opaco. Tappi in ABS color cromo satinato. Diametro dei tubi 32x1,5 mm. Distanza muro-centro tubo 69,5 cm. Lunghezza 40 cm tra le estremità.

FISSAGGIO (INSTALLAZIONE):

Fissaggio a muro tramite n°2 tasselli

Tasselli non compresi nella confezione

Scegliere tasselli adeguati in funzione del tipo di muratura.

Foro per viti Ø max 10,5

MANUTENZIONE:

Controllare periodicamente il corretto fissaggio degli accessori.

Effettuare una adeguata pulizia con acqua e sapone, non utilizzare prodotti abrasivi o corrosivi.

COMPOSIZIONE PRODOTTO:

MATERIALI:

TRATTAMENTI:

N° 1 Tubo Ø32 x 15/10 Fe Po4 Zincato e verniciato RAL9016

N° 2 Traversini Alluminio Verniciato RAL9016

N° 2 Boccole di fissaggio Alluminio

N° 2 Tappi ABS Cromo satinato.

TOLLERANZA:

0÷300±3 301÷600±4 601÷2000±5

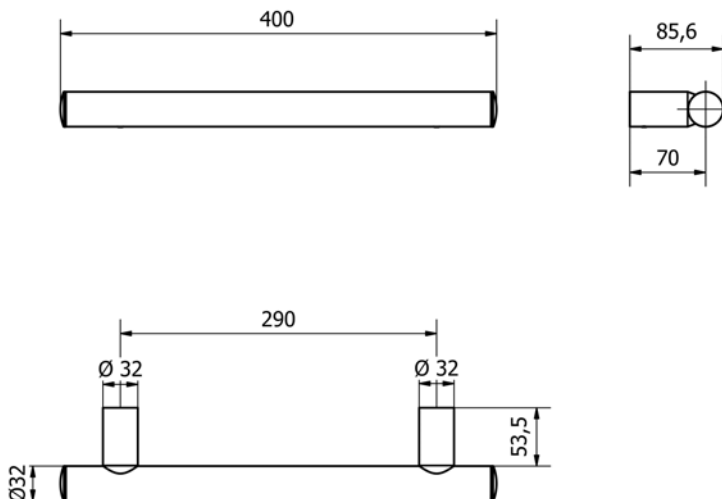
CONFEZIONE:

Imballo singolo in pluriball e scatola di cartone 110 x 40 x 340 mm.

Peso: 0,72 kg

ST_PRODOTTO: ELMA40BC	- 1	APPROVATO
		R.T.
REV.00 DEL 18/09/19		

TECHNICAL DRAWING



PHOTO



PRODUCT FAMILY: GRAB BARS AND HAND RAILS - ELEGANCE SERIES

CODE: ELMA40NR

DESCRIPTION: Linear grab bar, lenght 40 cm. Mat white.

MECHANICAL PERFORMANCES: Load capacity 150 kg.

APPROVALS/CERTIFICATIONS:

TUV system certification UNI EN ISO 9001

Declaration of conformity CE to European Medical device directive 07/47.

Reference regulations: UNI EN 12182; UNI CEI EN ISO 14971; UNI EN 1041, UNI CEI EN ISO 15225

PRODUCT FEATURES:

Grab bars made of galvanized steel with crossbars and bushing in turned aluminium. Powder coated, mat white. ABS plugs chrome - plated satin.

Diameter of the tubes 32x1,5 mm. Distance between wall and center of the tube 69.5 cm. Lenght 40 cm between the ends.

FIXING/INSTALLATION:

Wall mounted fixed with n° 2 plugs

Plugs not included in the package

Choose the correct type of plug according to the type of wall.

Hole for screw Ø max 10,5

MAINTENANCE:

Check the correct fastening periodically.

Make a proper cleaning by water and soap, do not use abrasive or corrosive agents.

PRODUCT COMPOSITION:

N° 1 Tube Ø32 x 15/10 Fe Po4 galvanized and painted RAL9016

N°2 Crossbars made of aluminium painted RAL9016

N° 2 Bushings for fixation

N° 2 Plugs in ABS chrome-plated satin.

MATERIALS:

TREATEMENTS:

TOLERANCES:

0÷300 ±3 301÷600 ±4 601÷2000 ±5

PACKAGING OF THE PRODUCT:

Single package with pluriball and carton box 110 x 40 x 340 mm.

Weight: 0,72 kg

The above mentioned information cannot be considered as binding. Thermomat Saniline Srl reserves the right to make technical and aesthetic changes without any prior notice.

ST_PRODOTTO: ELMA40NR	- 1	APPROVATO
REV.00 DEL 18/09/19		R.T.

THERMOMAT SANILINE SRL

Via M. Curie, 7 - 46034 Borgo Virgilio (Mantova) ITALY

Tel. + 39 0376 4473

www.thermomat.com - e-mail: info@thermomat.com

